



- Smooth, dynamic movement through patent-pending Geometric Spring System
- Ergonomically compatible with tablets and touch screen technology
- Weight gauge reduces installation time and allows consistent performance
- Self balancing head provides accurate screen positioning and stability
- Integrated 3-point cable management system



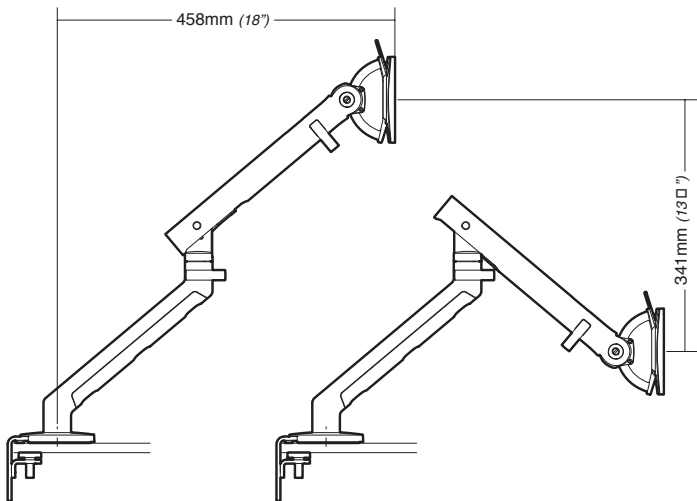
**UNRIVALLED  
PERFORMANCE  
FROM THE MARKET  
LEADING MONITOR  
ARM**



info@cbsproducts.co.uk  
www.colebrookbossonsaunders.com



**colebrook bosson saunders**



## CODE DYN

Dynamic Monitor Arm

## TECHNICAL INFORMATION

- Net product weight 2.6kg
- Lifetime warranty
- VESA 75 and 100 compliant



	Total Material Weight (g)	Material Type Recycled Content (%)	% PIR of Total Weight	% PCR of Total Weight	% of Total Product Recyclable
Aluminium	924	95	18	16	36
Steel	1229	13	1	5	48
Plastic	251	-	-	-	10
Zinc	183	44	2	2	7
<b>Total</b>	<b>2587</b>	<b>43</b>	<b>21</b>	<b>23</b>	<b>100</b>

Data sheets are available for more detailed product information.  
Please contact your Account Manager on +44(0)207 940 4266.