



- The original and classic flat screen monitor arm
- System monitor arm available in three lengths for multi-screen environments
- Varied arrangements can be created using the Wishbone post system and arm lengths
- Monitor can be positioned in either landscape or portrait format

Wishbone

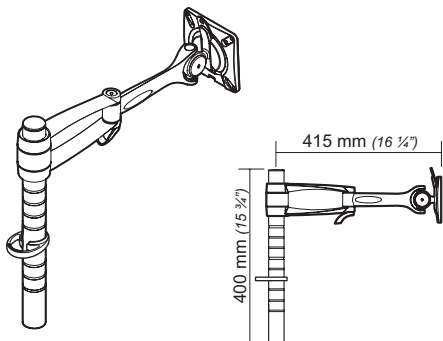
**ICONIC
PRODUCT DELIVERS
EXCEPTIONAL
PERFORMANCE IN
ALL ENVIRONMENTS
FROM OFFICES TO
TRADING FLOORS**



info@cbsproducts.co.uk
www.colebrookbossonsaunders.com



colebrook bosson saunders



CODE WSH

Flat Screen Monitor Arm

TECHNICAL INFORMATION

- Standard arm net product weight 0.9kg
Forearm weighs 0.65kg, C-Post weighs 0.5kg
- Lifetime warranty
- VESA 75 and 100 compliant



	Total Material Weight (g)	Material Type Recycled Content (%)	% PIR of Total Weight	% PCR of Total Weight	% of Total Product Recyclable
Aluminium	534	95	32	28	63
Steel	171	13	-	2	20
Plastic	104	-	-	-	12
Zinc	7	44	-	-	1
Aluminium Extruded	34	-	-	-	4
Total	850	63	32	30	100

Data sheets are available for more detailed product information.
Please contact your Account Manager on +44(0)207 940 4266.